

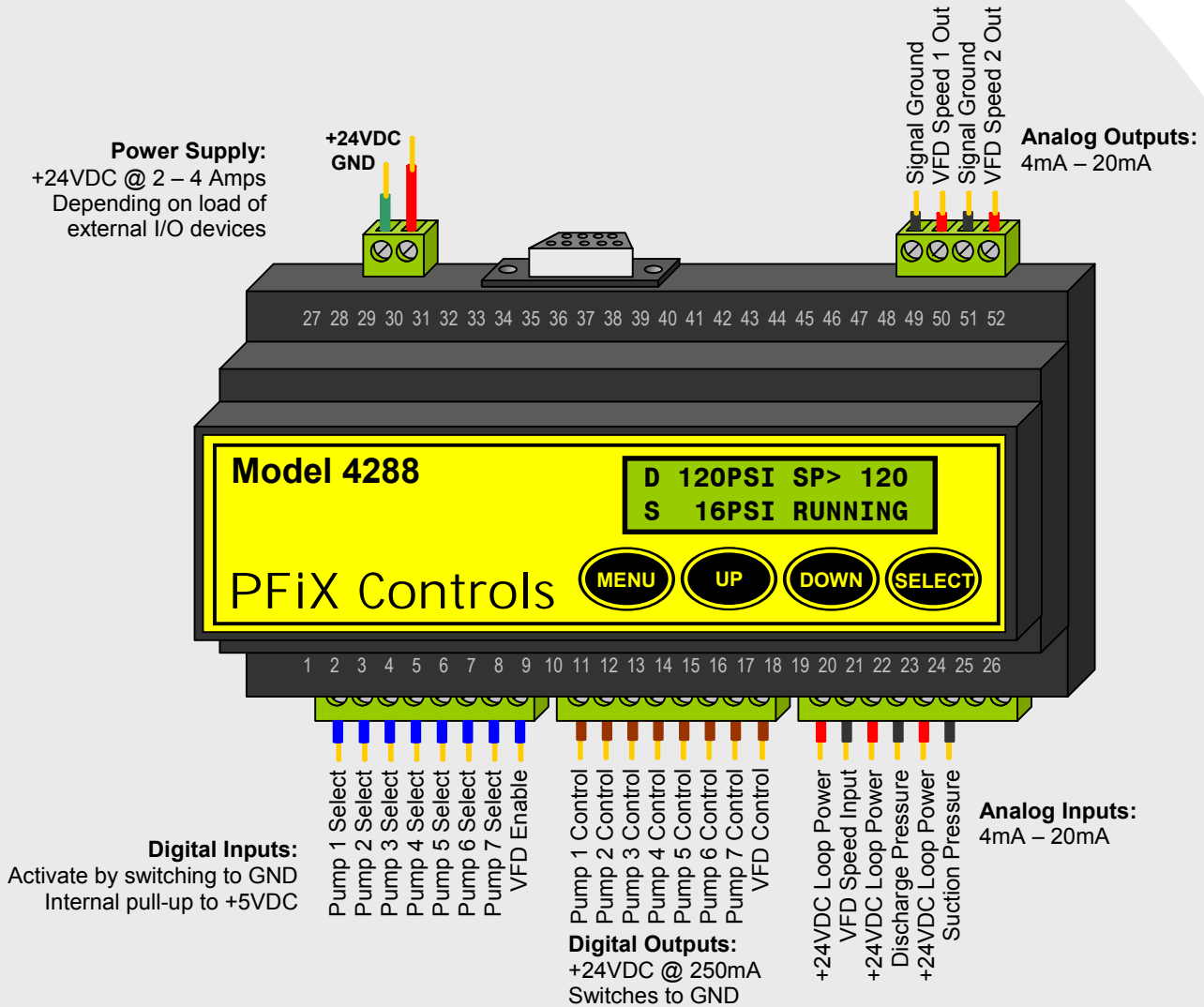


(205) 533-0571
www.pfixcontrols.com

Variable Speed Drive Controller

VFDC-17-A Standard Features

Custom Features Available upon Request



VFDC-17-A Standard Features

- Controls and maintains constant discharge pressure, level, or flow.
- Controls and maintains safe suction pressure, level, or flow.
- Fully tunable PID Control for one Variable-Frequency-Drive and Inverter.
- Fully scalable VFD speed set point and feedback displayed in either Hz or Percentage.
- Fully scalable control variables displayed in PSI, %, FT, IN, GPM, FPS, or HZ.
- Optional use of Start-up Minimum Speed Delay Mode.
- Optional use of Start-up Line Charging Speed Control Mode.
- Optional Sleep/Idle Mode with Restart and optional Pre-lube Mode.
- Optional Low Suction Shutdown.
- Optional control of up-to seven fixed-speed pumps.
- Optional Auto or Manual fixed-speed pump selection.
- User Configurable via easy-to-use menu setup screens, no setup computer needed.